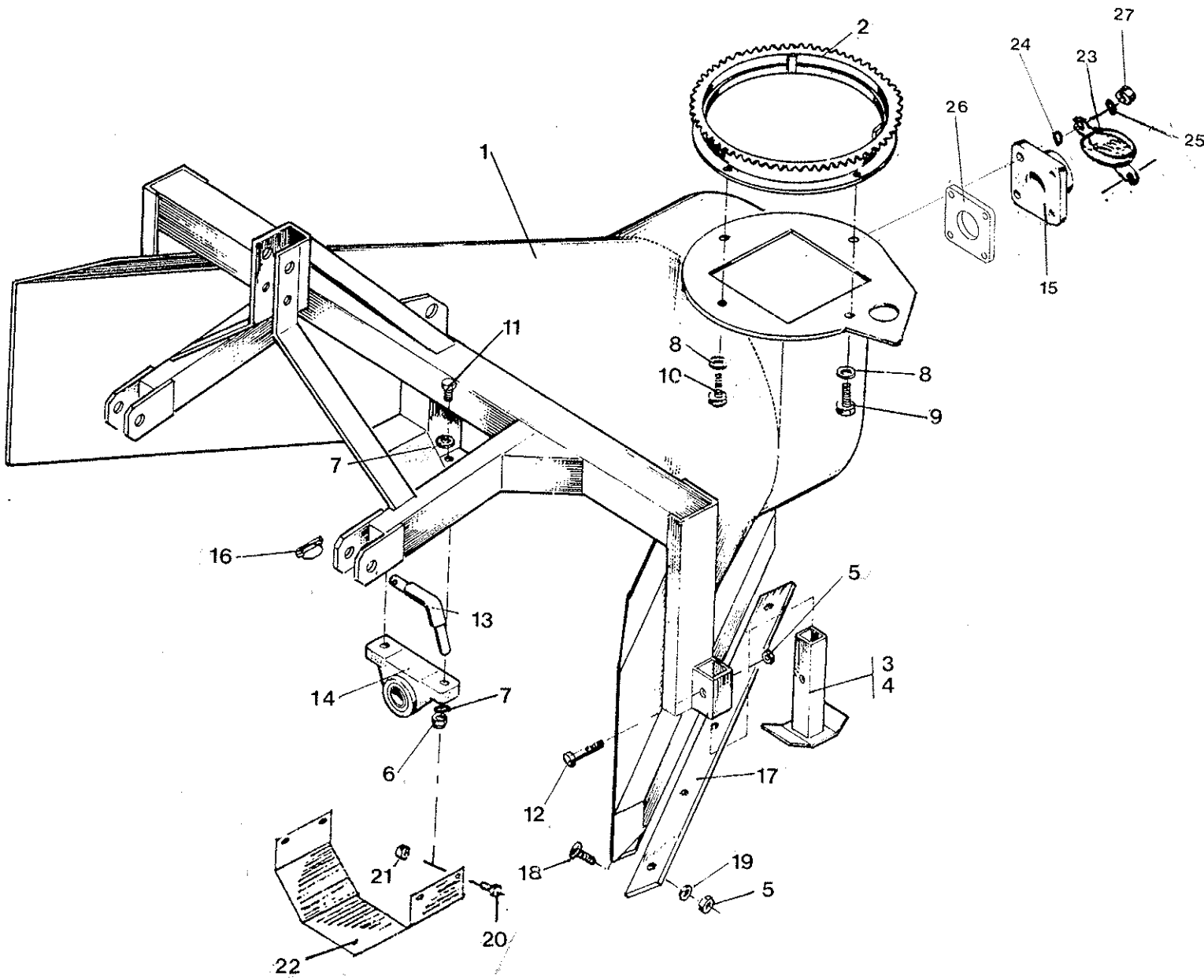


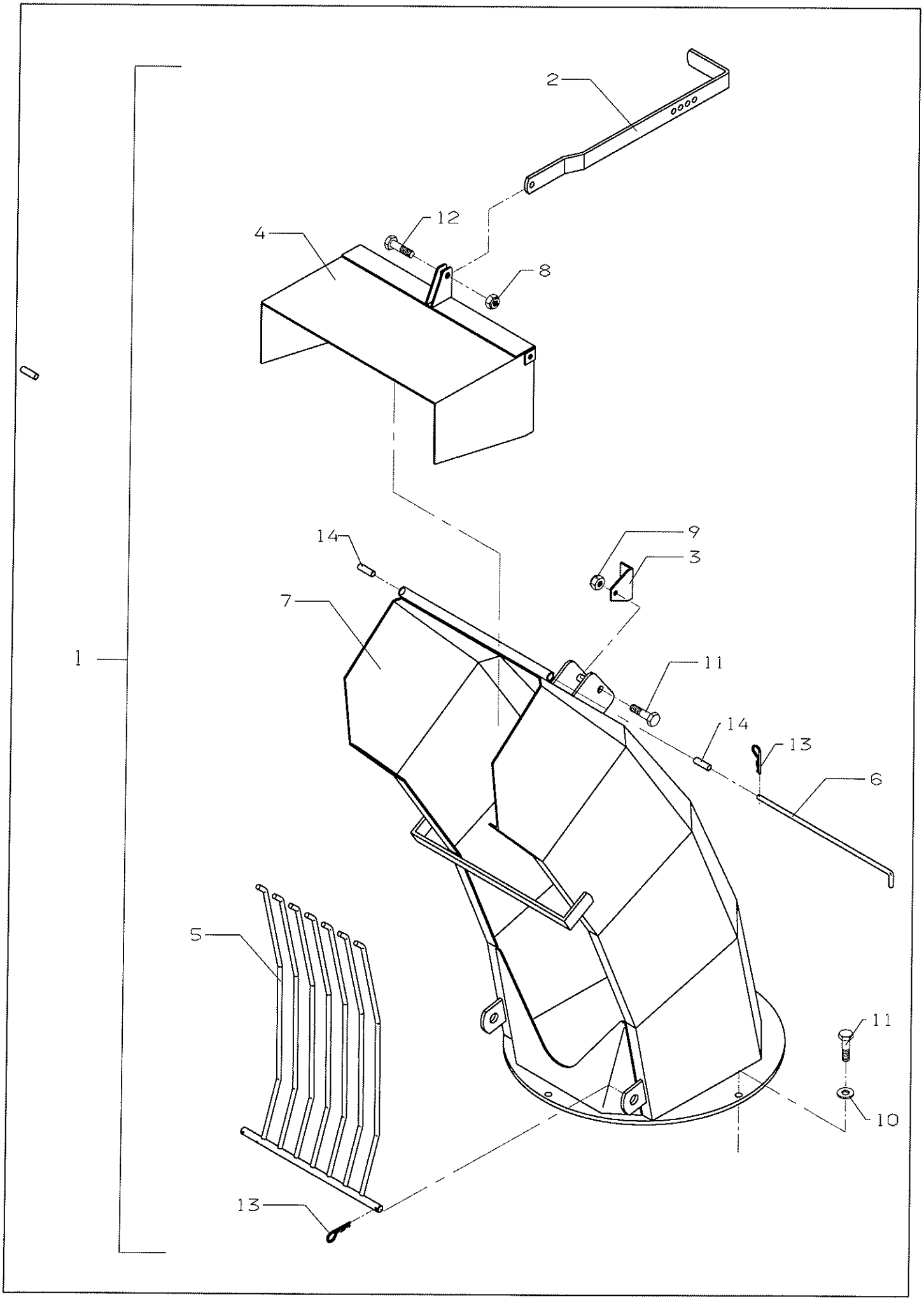
Spare parts list

| | |
|-------------------------------------------------|--------------------------------------------------------|
| Typenr.: Type no.: Ballart nr.: _____ | Fabrikationsnr.: Prod. no.: Prod. nr.: _____ |
| Årgang: Year: Jahr: _____ | Max. arb. tryk: Max. pressure: Max. druck: _____ |
| Egenvægt: Net weight: Eigengewicht: _____ | Spænding: Voltage: Spannung: _____ |
| Max. last: Max. load: Max. ladung: _____ | |



V2350

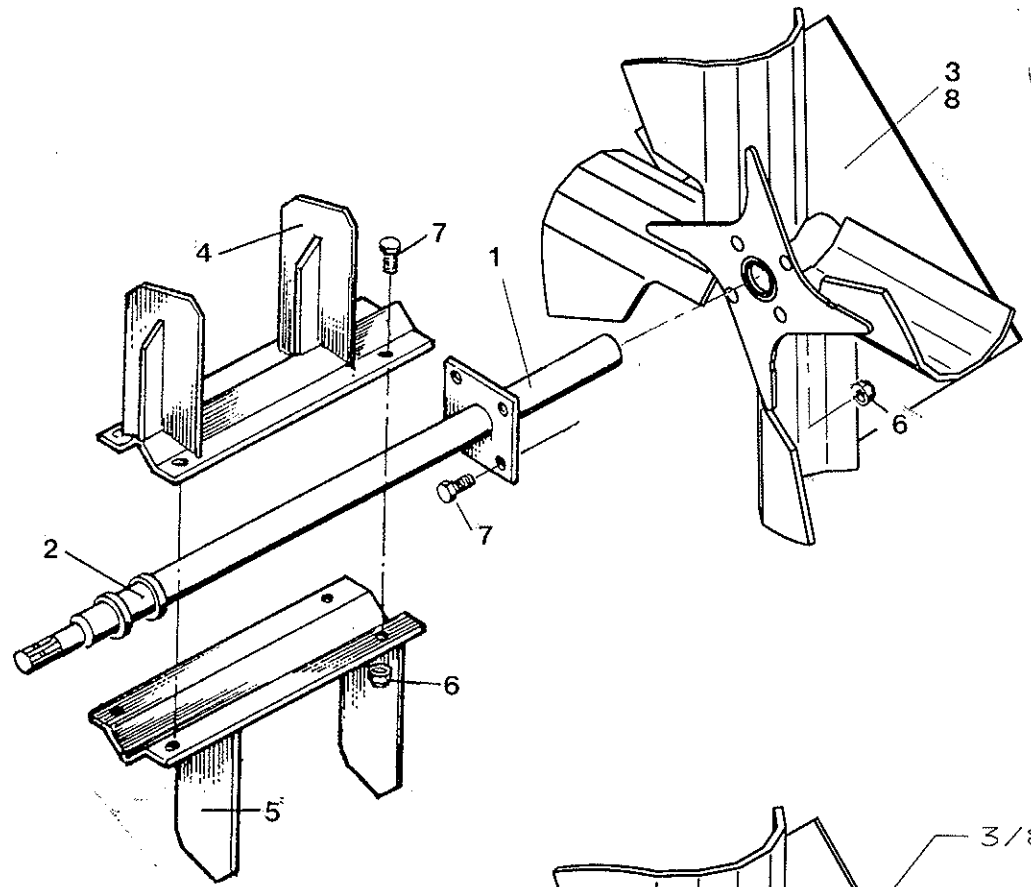
| Pos | Res.no. | Ramme | Frame | Rahmen | Note |
|-----|----------|------------------------------|-------------------------|--------------------------|------|
| 1 | S6001001 | Ramme for V-2350 | Frame V-2350 | Rahmen V-2350 | |
| 2 | S6002000 | Drejekrans 1500-1750-2450 | Rotary rim | Drehkranz | |
| 3 | S6003000 | Slæbesko højre | Skid-pans, right | Schleifstück, rechts | |
| 4 | S6004000 | Slæbesko venstre | Skid-pans, left | Schleifstück, links | |
| 5 | 22052005 | Låsemøtrik M12 FZB | Lock nut M12 | Gegenmutter M12 | |
| 6 | 22052007 | Låsemøtrik M16 FZB | Lock nut M16 | Gegenmutter M16 | |
| 7 | 22058701 | Sværskive 5/8" FZB 35/17,5x3 | Washer 5/8" | Scheibe 5/8" | |
| 8 | 22056300 | Centerfjederskive M10 FZB | Spring washer M10 | Federscheibe M10 | |
| 9 | 22008402 | Satskrue M10x20 8.8 fzb | Set screw M10x20 | Satzschraube M10x20 | |
| 10 | 22008403 | Satskrue M10x25 8.8 fzb | Set screw M10x25 | Satzschraube M10x25 | |
| 11 | 22008707 | Satskrue M16x55 8.8 FZB | Set screw M16x55 | Satzschraube M16x55 | |
| 12 | 22002305 | Mask. bolt M12x70 8.8 fzb | Machine Bolt M12x70 | Maschine Bolzen M12x70 | |
| 13 | 23006200 | Nagle Ø28-Ø22/90-Ø22/40-Ø12 | Spike ø28-ø22 | Nagel ø28-ø22 | |
| 14 | 25010700 | Ståleje UCP 210 | Pedestal bearing 210 | Stehlager 210 | |
| 15 | 25020600 | Flangeleje UCF 210-Ø50 | Flanged bearing 210-ø50 | Flanschenlager 210-ø50 | |
| 16 | 23006002 | Traktorsplit Ø8x40 | Split Pin ø8x40 | Splint ø8x40 | |
| 17 | S6014000 | Skær for V-2100 | Shar for V-2000 | Leiste für V-2000 | |
| 17 | S6014001 | Skær for V-2350 | Shar V-2350 | Leiste V-2350 | |
| 18 | 22025401 | Bræddebolt M12x30 FZB | Carriage bolt M12x30 | Schwellenschraube M12x30 | |
| 19 | 22058309 | Sværskive 1/2" FZB 29/14,5x3 | Washer 1/2" | Scheibe 1/2" | |
| 20 | 22008203 | Satskrue M6x12 8.8 fzb | Set screw M6x12 | Setzschraube M6x12 | |
| 21 | 22052002 | Låsemøtrik M6 FZB | Lock nut M6 | Gegenmutter M6 | |
| 22 | S7002126 | Skærm for PTO | Shield for PTO | Schirm für PTO | |
| 23 | S7400050 | Dåksel leje 210 | Cover bearing 210 | Deckel lager 210 | |
| 24 | 22058309 | Sværskive 1/2" FZB 29/14,5x3 | Washer 1/2" | Scheibe 1/2" | |
| 25 | 22059401 | Planskiver 14mm FZB | Face plate 14mm | Planscheibe 14mm | |
| 26 | S6015104 | Plade for leje | plate | Platte | |
| 27 | 22052006 | Låsemøtrik M14 FZB | Lock nut M14 | Gegenmutter M14 | |



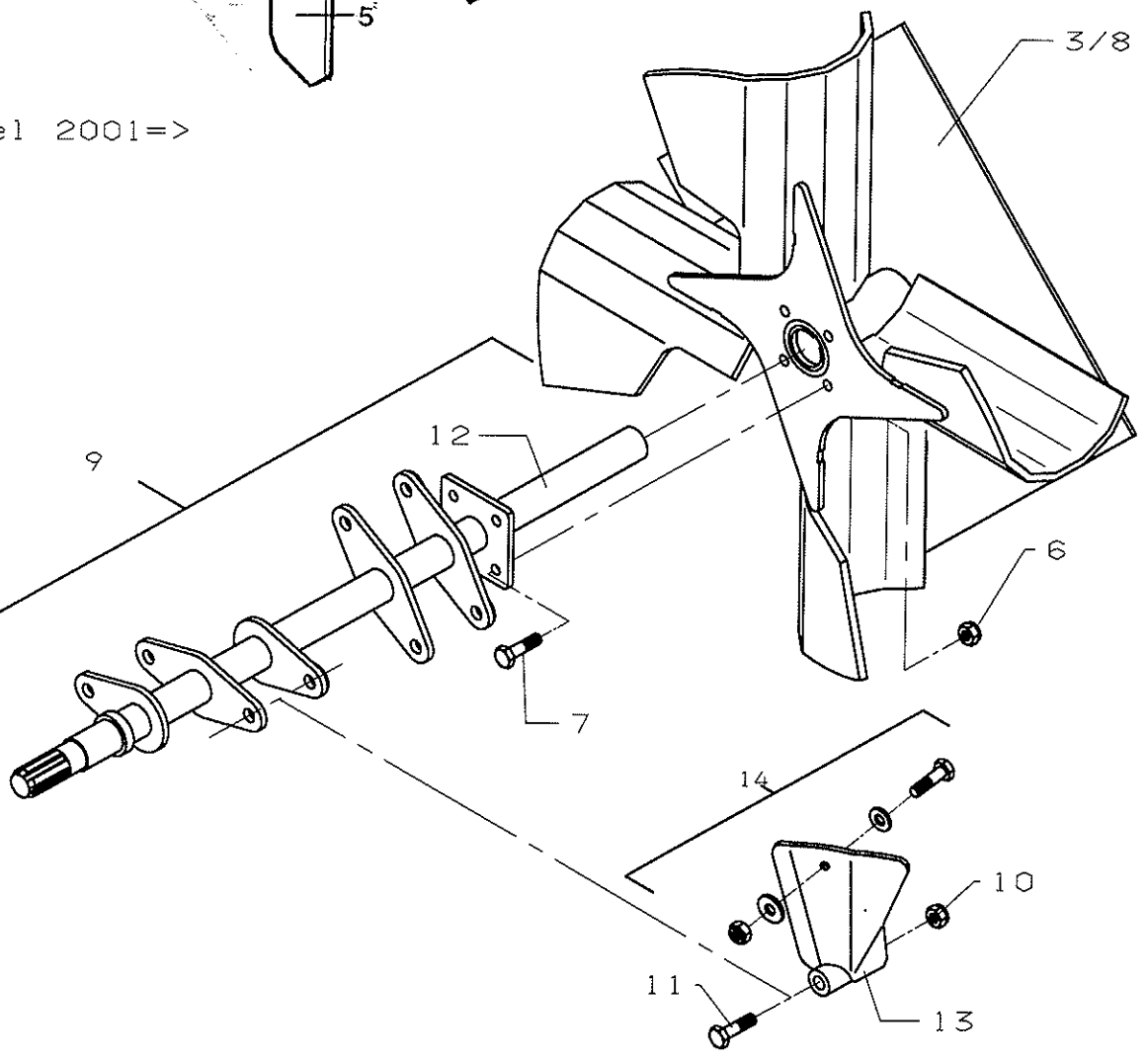
V2350

| | | Tud | Pipe | Rohr | |
|-----|----------|--------------------------------|-------------------|---------------------------|------|
| Pos | Res.no. | | | | Note |
| 1 | S4212000 | Tud monteret 1750-2450 | Nozzle mounted | Auswurfkamin montiert | |
| 2 | S6007101 | Håndtag for tud | Handle for nozzle | Handgriff f. Auswurfkamin | |
| 3 | S6009000 | Låseplade | Latch plate | Gegenblech | |
| 4 | S4212041 | Klap for tud 1750-2450 | Flap for nozzle | Klappe f. Verladekamin | |
| 5 | S6013000 | Rist f. sneslynge/snefræser, s | Grate | Rost | |
| 6 | S4212108 | Nagle for tud 1750-2450 | Spike f. nozzle | Nagel f. Auswurfkamin | |
| 7 | S4212040 | Tud 1750-2450 | Nozzle | Auswurfkamin | |
| 8 | 22052005 | Låsemøtrik M12 FZB | Lock nut M12 | Gegenmutter M12 | |
| 9 | 22052004 | Låsemøtrik M10 FZB | Lock nut M10 | Gegenmutter M10 | |
| 10 | 22056300 | Centerfjederskive M10 FZB | Spring washer M10 | Federscheibe M10 | |
| 11 | 22008402 | Sætskrue M10x20 8.8 fzb | Set screw M10x20 | Satzschraube M10x20 | |
| 12 | 22008505 | Sætskrue M12x35 8.8 fzb | Set screw M12x35 | Satzschraube M12x35 | |
| 13 | 23006021 | Hårnålesplit Ø3 type B | Split Pin Ø3 | Splinte Ø3 | |
| 14 | S4300114 | Bøsning for tud | | | |

Model => 2001

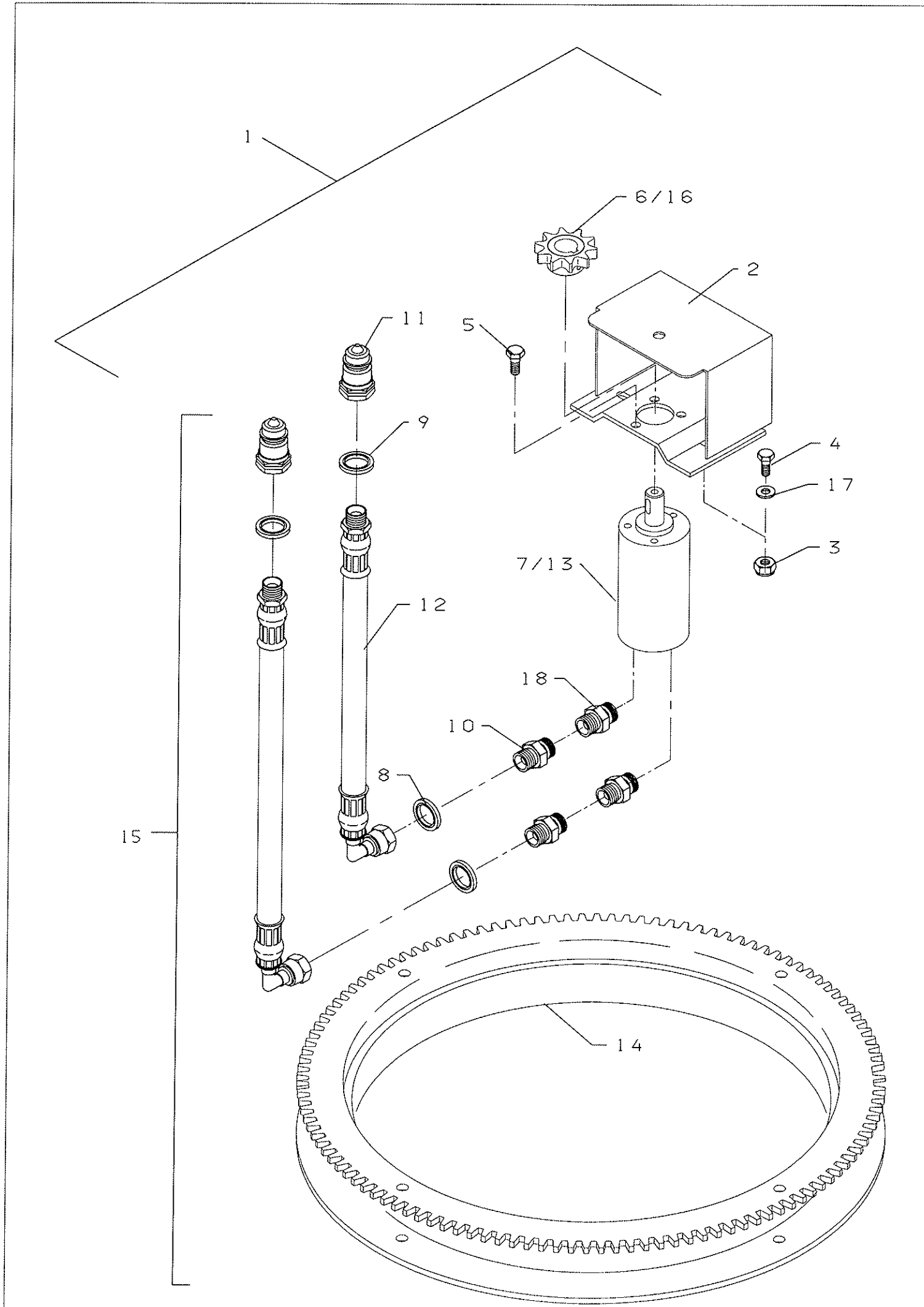


Model 2001=>



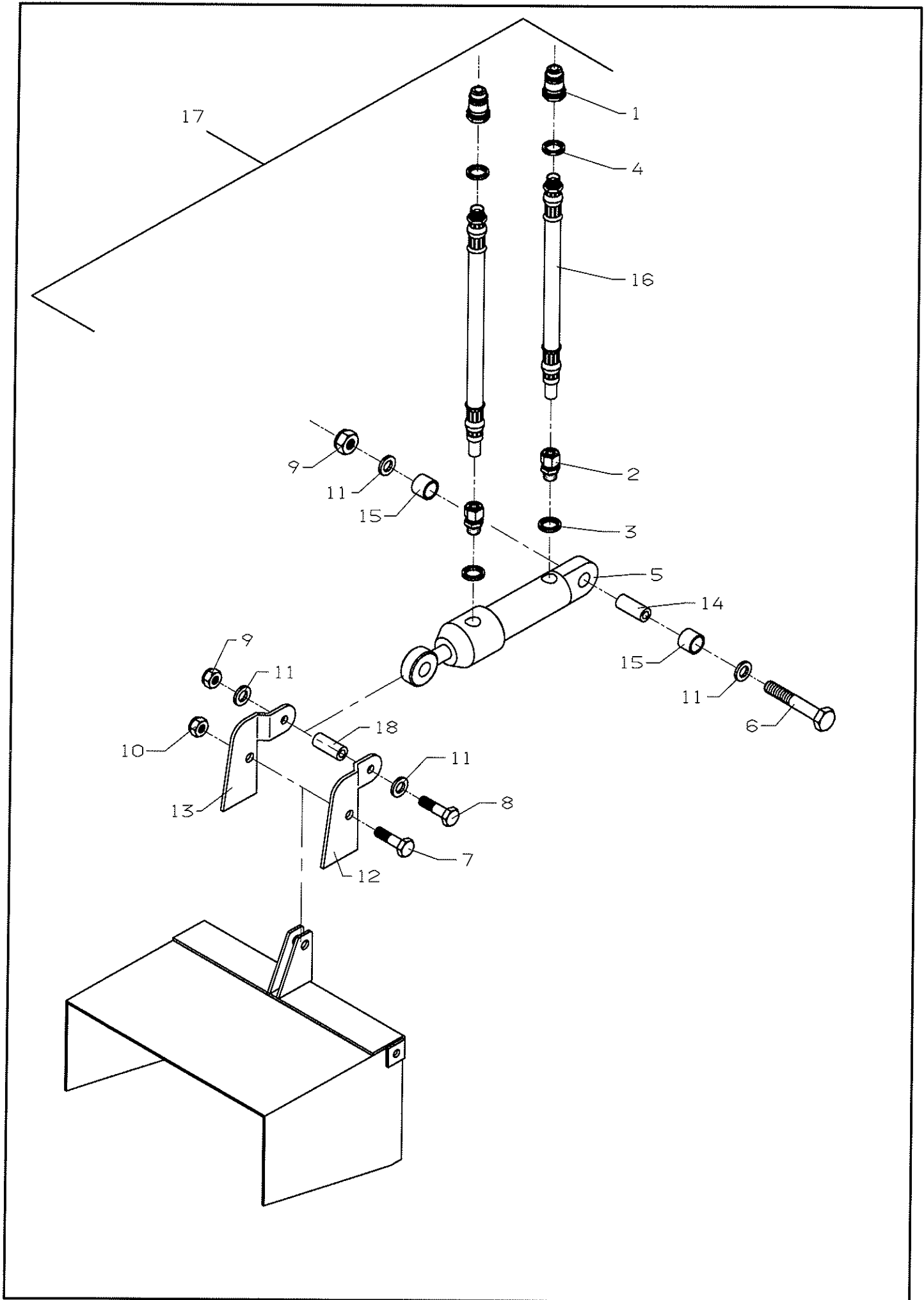
V2350

| Pos | Res.no. | Blæsehjul | Impeller | Geblåserad | Note |
|-----|----------|--------------------------------|----------------------------|------------------------------|-------|
| 1 | S6015000 | Aksel monteret 1 3/4" V-2100/V | Shaft, mount 1 3/4" | Welle, Mont. 1 3/4" | -2000 |
| 2 | S6015040 | Aksel svejst 1 3/4" f/2100 | Shaft 1 3/4" | Welle 1 3/4" | |
| 3 | S6011042 | Blæsehjul for V-2350, svejst | Impeller for V-2100/V-2350 | Geblåserad für V-2100/V-2350 | |
| 4 | S6015041 | Snegl f/indføring højre 325mm | Endless screw, RH | Schnecke, R | |
| 5 | S6015042 | Snegl svejst venstre 325mm | Endless screw, LH | Schnecke, L | |
| 6 | 22052006 | Låsemøtrik M14 FZB | Lock nut M14 | Gegenmutter M14 | |
| 7 | 22008603 | Satskrue M14x40 8.8 FZB | Set screw M14x40 | Satzschraube M14x40 | |
| 8 | S6011107 | Bøsning for blæsehjul, V-2000/ | Bush for impeller | Buchse für Geblasrad | -2003 |
| 8 | S6011108 | Bøsning for blæsehjul, V-2000/ | Bush for impeller | Buchse für Geblasrad. | 2003- |
| 9 | S6015001 | Aksel for løse vinger V-2100/ | Shaft with rem. wings | Welle mit abnehmbarflügel | 2001- |
| 10 | 22002716 | Mask. bolt M20x150 8.8 FZB | Bolt M20x150 | Bolzen M20x150 | |
| 11 | 22052009 | Låsemøtrik M20 FZB | Lock nut M20 | Gegenmutter M20 | |
| 12 | S6015043 | Aksel for V-2350, svejst | Shaft for V-2100/V-2350 | Weller für V-2100/V-2350 | 2001- |
| 13 | S6015044 | Løs Vinge for V-2350 | Removable wing | Abnehmbarflügel | |
| 13 | S6015045 | Løs Vinge for V-2100/V-2350 | | | |
| 14 | S6512001 | Monteringssæt for ubalance | Mount. for unbalance | Mont. für instabilität | |



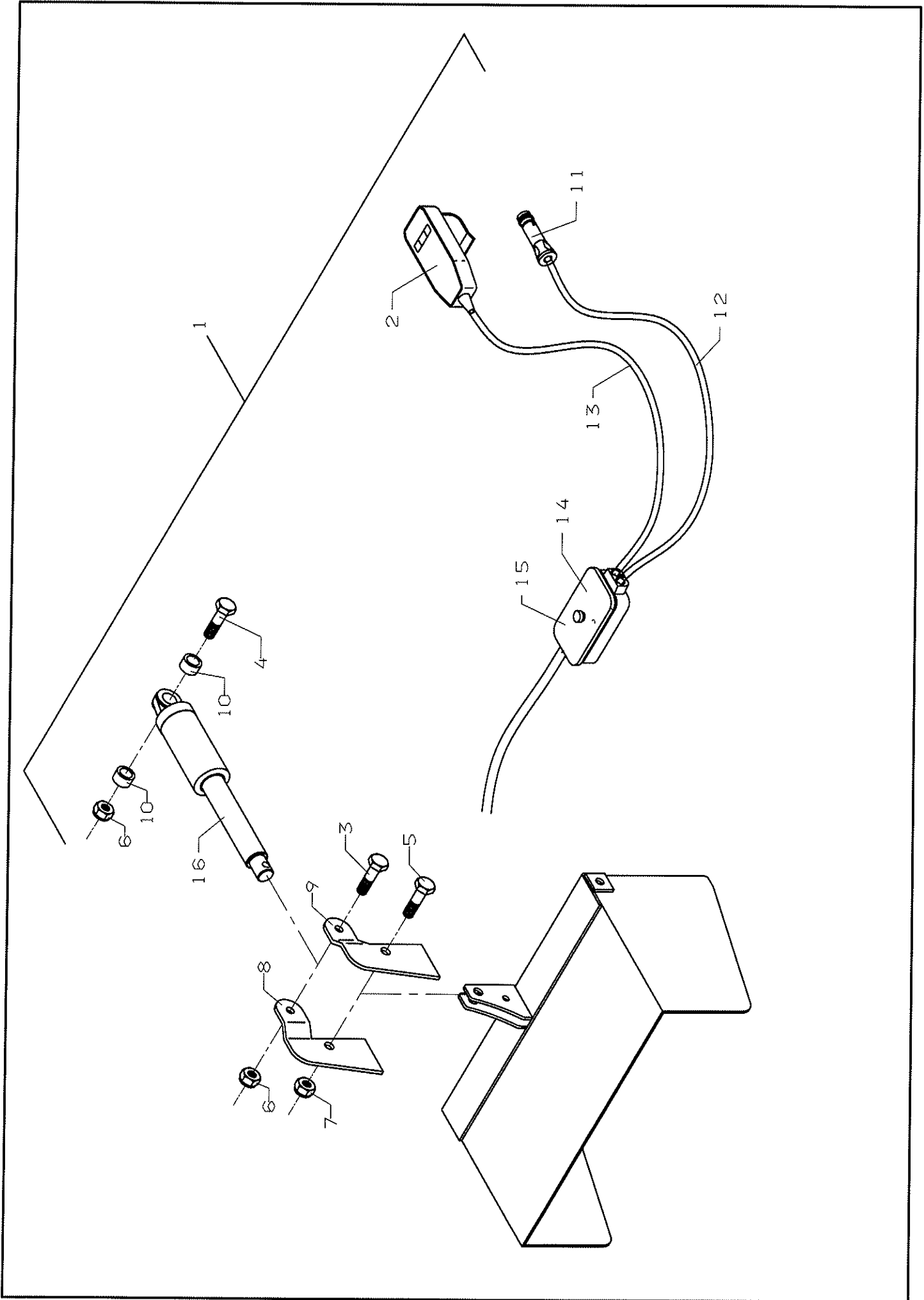
V2350

| | Hydraulisk styring | Hydraulic control | Hydraulisch | |
|-----|--------------------|---------------------------------|--------------------------------|--------------------------------|
| Pos | Res.no. | | Note | |
| 1 | S6200000 | Hydr. styring af tud, sæt | Hydr. control | Hyd. Steuerung auf Auswurfkani |
| 1 | S6200001 | Sæt, spec. hydr. styring af tu | Set, spec. hydr. control | Satz, Spec. Hydr. Streuerung |
| 2 | S6005000 | Motorconsol, svejst | Engine bracket | Motor Konsole |
| 3 | 22052003 | Låsemøtrik M8 F2B | Lock nut M8 | Gegenmutter M8 |
| 4 | 22008304 | Sætskrue M8x25 8.8 fzb | Set screw M8x25 | Satzschraube M8x25 |
| 5 | 22012205 | Skrue M6x12 8.8 CH fzb indiv. 6 | Screw M6x12 8.8 | Schraube M6x12 8.8 |
| 6 | 26020105 | Tandhjul M3,95-15Z Ø16H7 | Gear wheel M3 | Zahnrad M3 |
| 7 | 21070100 | Oliemotor OMM 32 C16 e.port | Oil engine omm 32 | Ölmotor omm 32 |
| 8 | 21062101 | Pakring 3/8" | Seal Ring 3/8" | Dichtring 3/8" |
| 9 | 21062102 | Pakring 1/2" | Seal Ring 1/2" | Dichtring 1/2" |
| 10 | 21000804 | Hydr. brystnippel 3/8"x3/8" | Hydr. hexagon nipple 3/8"x3/8" | Hydr. Reduziernippel 3/8"x3/8" |
| 11 | 21000402 | Hankobling 1/2" sterling | Male coupling 1/2" | Hydr. Anschluss Aus.g. 1/2" |
| 12 | 21033431 | Hydr. slange Ø3/8"x3100 incl.1 | Hydr. hose ø3/8"x3100 | Hydr. Schlauch ø3/8"x3100 |
| 13 | 21070150 | Ventil f.OMM VAIF/D5D/03-38 | Valve for OMM | Ventil für OMM |
| 14 | S6002001 | Drejkrans m/stop f.1500/1750- | Rotary rim w/stop | Drehkranz m/Stop |
| 15 | S4300024 | 99 Sæt, spec.drejkrans/oliem. | Set, spec. turning rim/oilengi | Satz, Spec.Drehkranz/Ölmotor |
| 16 | 22018030 | Stopskrue M8x10 4SH sort m/kra | Headless screw M8x10 | Anschlagsschraube M8x10 |
| 17 | 22058600 | Skive M8 F2B 24/8,4x2 | Washer M8 | Scheibe M8 |
| 18 | S6005103 | Nippel f. oliemotor 3/8"x3/8" | Nippel | Nippel |



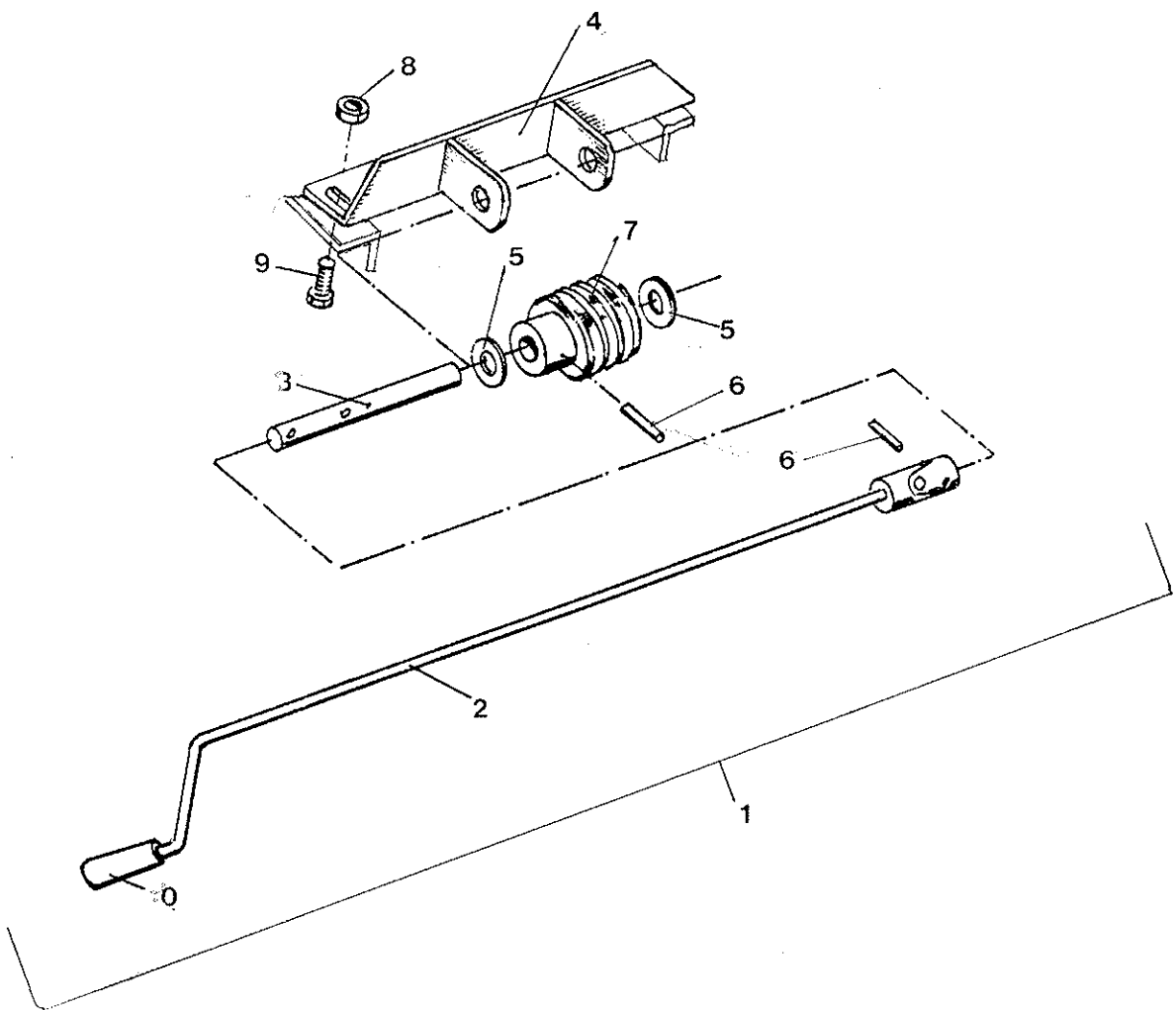
V2350

| | Hydr. regulering | Hydr. adjustment | Hydr. regulering | |
|-----|------------------|--------------------------------|--------------------------------|--------------------------------|
| Pos | Res.no. | | Note | |
| 1 | 21000402 | Hankobling 1/2" sterling | Male coupling 1/2" | Hydr. Anschluss Aus.g. 1/2" |
| 2 | 21000811 | Hydr. Nippel 3/8"xø15 | Hydr. hexagon nipple 3/8"xø15 | Hydr.Reduziernippel 3/8"xø15 |
| 3 | 21062101 | Pakring 3/8" | Seal Ring 3/8" | Dichtring 3/8" |
| 4 | 21062102 | Pakring 1/2" | Seal Ring 1/2" | Dichtring 1/2" |
| 5 | 21096200 | Hydr. cyl. NH21-AD 40/20x65-35 | Hydr. cylinder 40/20x65 | Hydr. Zylinder 40/20x65 |
| 6 | 22002238 | Mask. bolt M10x80 8.8 fzb | Bolt M10x80 | Bolzen M10x80 |
| 7 | 22008505 | Sætskrue M12x35 8.8 fzb | Set screw M12x35 | Satzschraube M12x35 |
| 8 | 22002232 | Mask. bolt M10x50 8.8 fzb | Machine bolt M10x50 | Maschinen Bolzen M10x50 |
| 9 | 22052004 | Låsemøtrik M10 FZB | Lock nut M10 | Gegenmutter M10 |
| 10 | 22052005 | Låsemøtrik M12 FZB | Lock nut M12 | Gegenmutter M12 |
| 11 | 22058411 | Skive M10 FZB 20/10.5X2 | Washer M10 | Scheibe M10 |
| 12 | S4300104 | Beslag for hydr.-cylinder H. | Fitting f. hydr. cylinder, rig | Beschlag f. Hyd. Zylinder, rec |
| 13 | S4300105 | Beslag for hydr.-cylinder V. | Fitting f. hydr. cylinder, lef | Beschlag f. Hyd. Zylinder, li |
| 14 | S4300106 | Bøsning f. hydraulik cylinder | Bush f. hydr. cylinder | Buchse f. Hydraulische Zylinde |
| 15 | S4300107 | Afstandsstykke for hydr. cylin | Distancepiece f. hydr. cylinde | Abstandstück f. Hyd. Zylinder |
| 16 | 21020237 | Hydr. slange ø3/8"x3700 | Hydr. hose ø3/8"x3700 | Hydr. Schlauch ø3/8"x3700 |
| 17 | S4300004 | Sæt, hydr. regulering af klap | | Satz, Hydr. Einstellung auf Kl |
| 18 | S4701128 | Bøsning for el og hydr. cylind | Bushing | Busche |



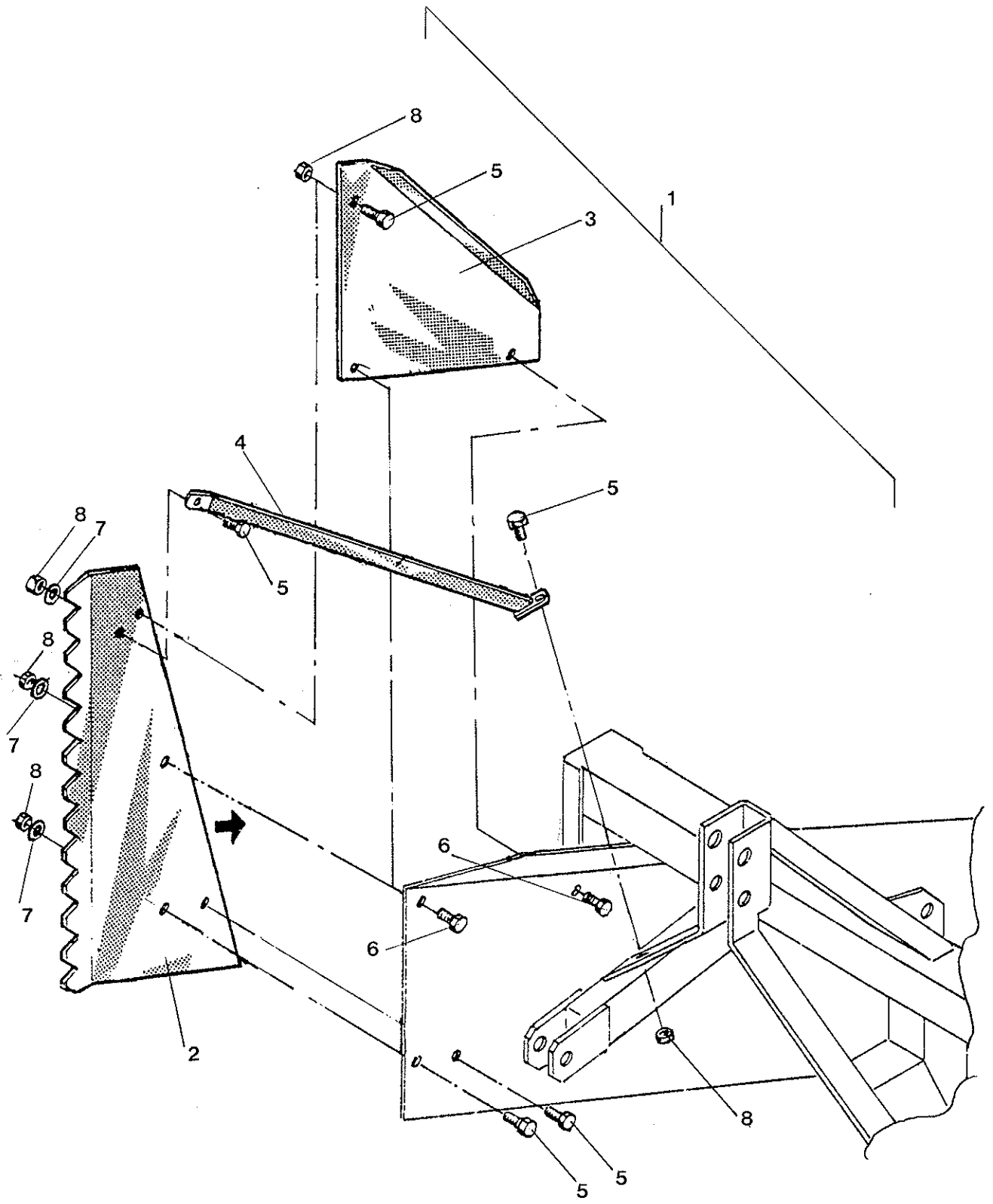
V2350

| | El-regulering | Elekt. regulation | El-Einstellung | |
|-----|---------------|--------------------------------|--------------------------------|--------------------------------|
| Pos | Res.no. | | Note | |
| 1 | S4300003 | Sæt, el-regulering af klap | Set, electric regulation of fl | Satz, Elektrisch Einstellung a |
| 2 | 20000061 | Håndbetjening HB7160000-20500 | Manual control | Handbedienung |
| 3 | 22002232 | Mask. bolt M10x50 8.8 fzb | Machine bolt M10x50 | Maschinen Bolzen M10x50 |
| 4 | 22002236 | Mask. bolt M10x70 8.8 fzb | Machine bolt M10x70 | Maschine Bolzen M10x70 |
| 5 | 22008505 | Sætskrue M12x35 8.8 fzb | Set screw M12x35 | Satsschraube M12x35 |
| 6 | 22052004 | Låsemøtrik M10 F2B | Lock nut M10 | Gegenmutter M10 |
| 7 | 22052005 | Låsemøtrik M12 F2B | Lock nut M12 | Gegenmutter M12 |
| 8 | S4300108 | Beslag for el-cylinder H. | Fitting for el-cylinder H. | Beschlag für El-Zylinder H. |
| 9 | S4300109 | Beslag for el-cylinder V. | Fitting for el-cylinder V. | Beschlag für El-Zylinder V. |
| 10 | S4300110 | Afstandsstykke for el-cylinder | Distancepiece for el-cylinder | Abstandstück für El-Zylinder |
| 11 | 20010200 | Hanstik 2-polet universal | Plug Socket KS 2243 | Stecker KS 2243 |
| 12 | 20010000 | Kabel 2-ledet 1.5mm2 | Cable | Kabel |
| 13 | 20010010 | Kabel 3X1,5kv | Cable | Kabel |
| 14 | 20010300 | Samledåse 8 polet KA1578 | Conduit box KA1578 | Sammeldose KA1578 |
| 15 | 20010100 | Kabelsko hun 6,3 0,5-1,5 kv | Cable eye 6,3 0,5-1,5 kv | Kabelschuh 6,3 0,5-1,5 kv |
| 16 | 20000004 | Linak LA28.2SB-100-12VDC-001 | El-cylinder | El-Zylinder |



V2350

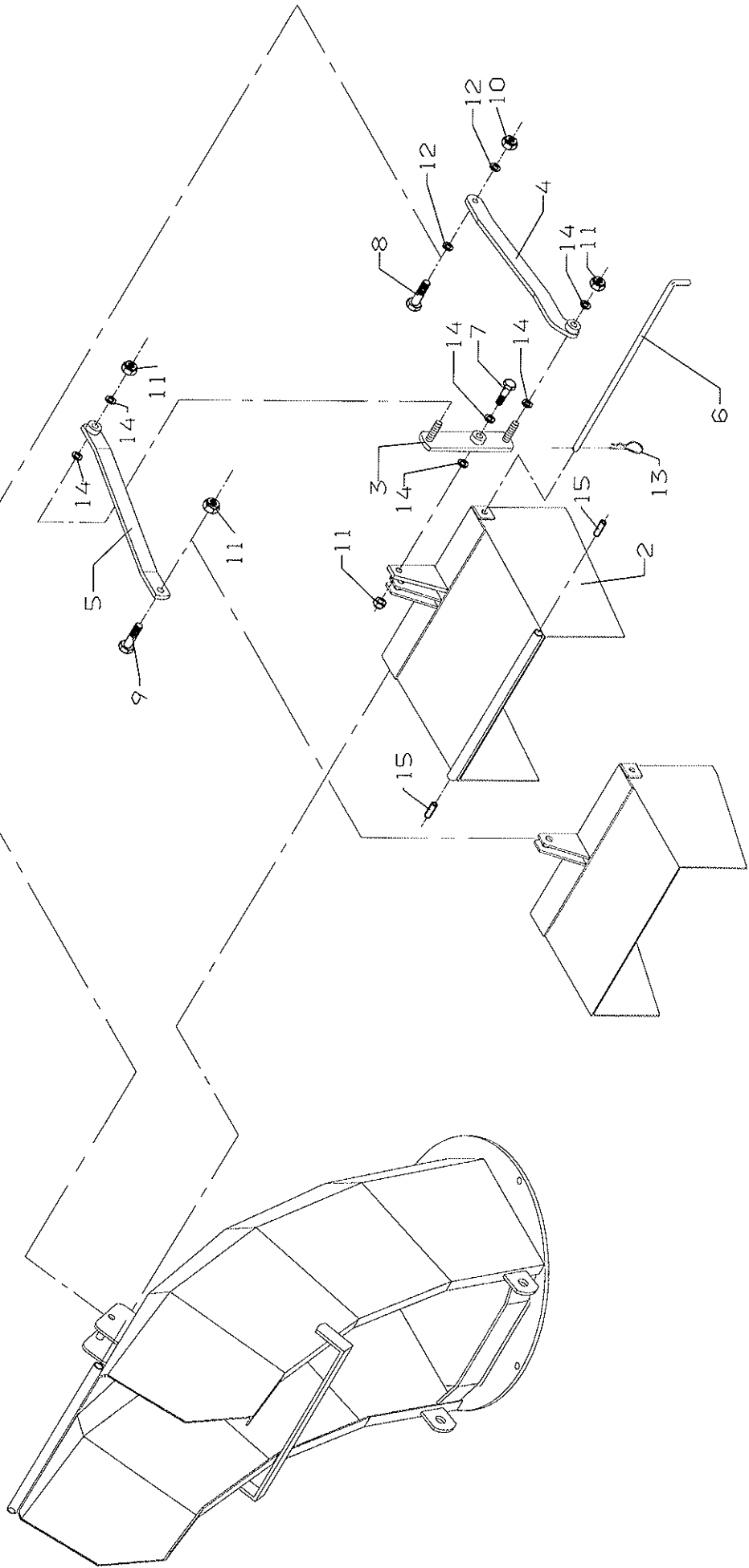
| | Manuel styring | Manuel control | Manuell Steuerung | |
|-----|----------------|--------------------------------|-----------------------------|--------------------------------|
| Pos | Res.no. | | Note | |
| 1 | S6100000 | Sæt, manuel styring f. tud | Set, manual control of flap | Satz, Manuell Steuerung für Kl |
| 2 | S6101000 | Håndsving komplet | Crank | Handkurbel |
| 3 | S6102000 | Aksel f/snekke comp. Ø16x170 | Shaft | Welle |
| 4 | S6104000 | Konsol f/snekke | Console | Konsol |
| 5 | 22058702 | Messing skive M16 30/17x3 | Washer M16 | Scheibe M16 |
| 6 | 23004400 | Rørstift Ø6x30 sort | Dowel ø6x30 | Rohrspannstift ø6x30 |
| 7 | 26040002 | Snekke M4 | Endless screw | Schnecke |
| 8 | 22052004 | Låsemøtrik M10 FZB | Lock nut M10 | Gegenmutter M10 |
| 9 | 22008403 | Sætskrue M10x25 8.8 fzb | Set screw M10x25 | Satzschraube M10x25 |
| 10 | 29001900 | Bakelitkugle m/top og tandring | Bakeliteball | Bakelitkugel |



V2350

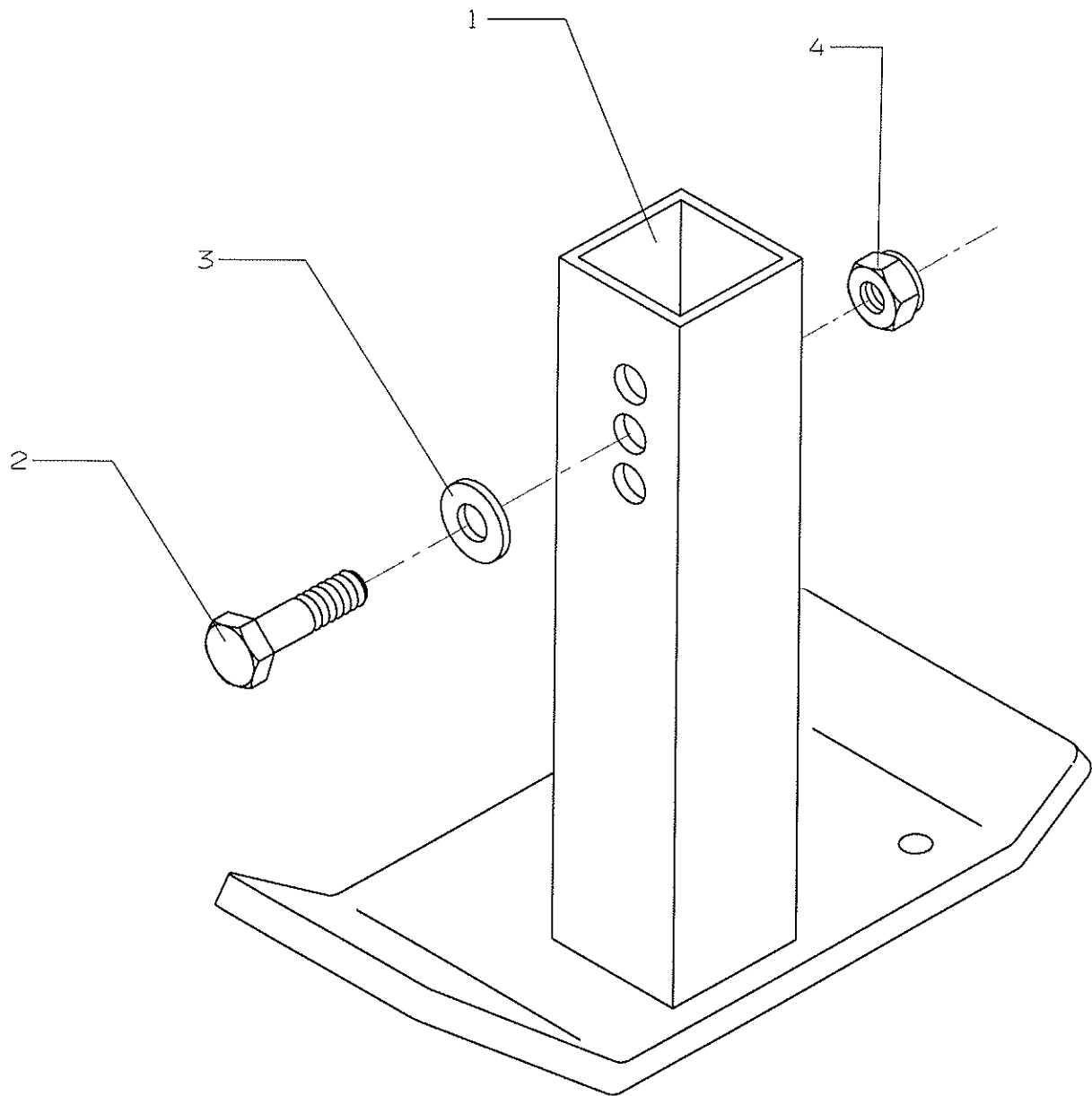
| | Kantvinge | Sidewing | Kantschar | |
|-----|-----------|--------------------------------|--------------------------|--------------------------------|
| Pos | Res.no. | | Note | |
| 1 | S6300000 | Sæt, kantvinge for V-2100, Høj | Set, sidewing V-2100 RH. | Satz, Kantschar Rechts f. V-21 |
| 1 | S6300002 | Sæt, kantvinge for V-2350 | Set, sidewing V-2350 | Satz, Kantschar V-2350 |
| 2 | S6301000 | Kantvinge for 2100/V-2350 | Side share | Kantschare |
| 3 | S6302000 | Skærm ved kantvinge | Screen | Schirm |
| 4 | S6303000 | Skråstiver f. kantvinge svejst | Brace | Diagonalstrebe |
| 4 | S6303002 | Skråstiver for kantvinge V-235 | Brace V-2350 | Diagonalstrebe V-2350 |
| 5 | 22008504 | Sætskrue M12x30 8.8 fzb | Set screw M12x30 | Satzschraube M12x30 |
| 6 | 22008505 | Sætskrue M12x35 8.8 fzb | Set screw M12x35 | Satzschraube M12x35 |
| 7 | 22058302 | Sværskive 7/16" FZB 26/13x2,5 | Washer 7/16" | Scheibe 7/16" |
| 8 | 22052005 | Låsemøtrik M12 FZB | Lock nut M12 | Gegenmutter M12 |

1



V2350

| Pos | Res.no. | Mellemklap | Middleflap | Zwischenklappen | Note |
|-----|----------|--------------------------------|--------------------------------|--------------------------------|------|
| 1 | S4300014 | Sæt, mellemklap f. tud 1500-24 | Set, middleflap 1500-2450/E-22 | Satz, Zwischenklappen 1500-245 | |
| 2 | S4212044 | Mellemklap svejst | Middle flap | Zwischenklappe | |
| 3 | S4212045 | Arm for mellemklap svejst | Arm for middleflap | Gelenk für Zwischenklappe | |
| 4 | S4212046 | Laske for mellemklap svejst | Splice for flap | Laschen für Klappe | |
| 5 | S4212047 | Laske for mellemklap svejst | Splice for flap | Laschen für Klappe | |
| 6 | S4212108 | Nagle for tud 1750-2450 | Spike f. nozzle | Nagel f. Auswurfkamin | |
| 7 | 22002300 | Mask. bolt M12x45 fzb | Machine bolt M12x45 | Maschine Bolzen M12x45 | |
| 8 | 22008405 | Sætskrue M10x35 8.8 fzb | Set screw M10x35 | Satzschraube M10x35 | |
| 9 | 22008505 | Sætskrue M12x35 8.8 fzb | Set screw M12x35 | Satzschraube M12x35 | |
| 10 | 22052004 | Låsemøtrik M10 FZB | Lock nut M10 | Gegenmutter M10 | |
| 11 | 22052005 | Låsemøtrik M12 FZB | Lock nut M12 | Gegenmutter M12 | |
| 12 | 22058410 | Facetskive M10 FZB 20/10.5X2 | Facet disc M10 | Facettenscheibe M10 | |
| 13 | 23004202 | Rørstift Ø4x30 FZB | Dowel ø4x30 | Rohrspannstift ø4x30 | |
| 14 | 22058610 | Skive M12 ø23/ø13x2,5 FZB | Disc M12 | Scheibe M12 | |
| 15 | S4300114 | Bøsning for tud | | | |



V2350

| | Ekstra udstyr | Extra equipment | Extrakt ausrüstung | |
|-----|---------------|---------------------------|---------------------------|------------------------------|
| Pos | Res.no. | | Note | |
| 1 | S6003001 | Slæbesko Hardox, højre | Skid-pans V-2100/V-2350 R | Schleifschuh V2100/V-2350 R |
| 1 | S6004001 | Slæbesko Hardox, venstre | Skid-pans V-2100/V-2350 R | Schleifschuh V-2100/V-2350 R |
| 2 | 22002305 | Mask. bolt M12x70 8.8 fzb | Machine Bolt M12x70 | Maschine Bolzen M12x70 |
| 3 | 22058610 | Skive M12 ø23/ø13x2,5 F2B | Disc M12 | Scheibe M12 |
| 4 | 22052005 | Låsemøtrik M12 F2B | Lock nut M12 | Gegenmutter M12 |